

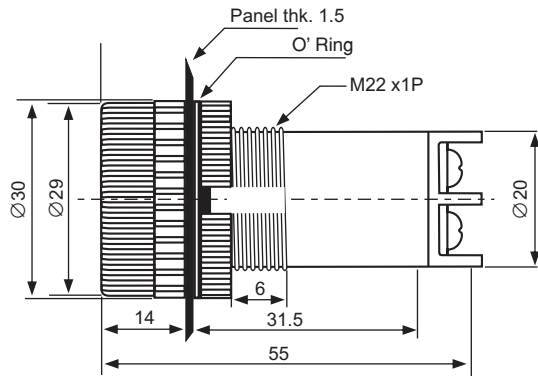
# INDICATOR LIGHT

(BUILT-IN LED)

SERIES : IL.22

ISSUE - PIS/IL.22

DATE : 01.10.12

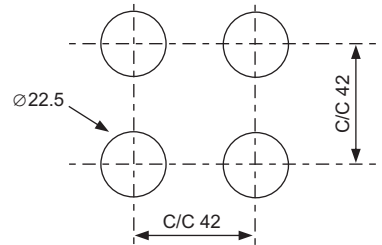


## SPECIFICATIONS

### MECHANICAL

MAIN HOUSING	: ABS
LENS MATERIAL	: POLYCARBONATE
LENS COLOUR	: RED, GRN, AMB, CLR & BLU
O-RING	: RUBBER
RING NUT	: ABS
TERMINALS	: BRASS TINNED
CONNECTION	: SCREW
SCREW / WASHER	: BRASS Ni. PLATED
WEIGHT	: 15 GRAMS APPROX

## PANEL CUT OUT & MIN. SPACING



ALL DIMENSIONS ARE IN mm

## ELECTRICAL

LAMP	RATED VOLTAGE	MIN. OPERATING VOLTAGE	CURRENT DRAWN
LED Super Bright	12V DC	3.88 V	9.76 mA
	24V DC	4.52 V	21.44 mA
	48V DC	7.45 V	44.62 mA
	110V AC	43.8 V	7.64 mA
	220V AC	44.1 V	15.56 mA

Voltage Breakdown : > 1000 V AC (Terminal to Housing)

Insulation Resistance : > 1000 MΩ @ 500 V DC

## ORDERING CODE

SERIES	LENS COLOUR	RATED VOLTAGE
IL.22	R - RED	1 - 12V DC
	G - GREEN	2 - 24V DC
	A - AMBER	3 - 48V DC
	C - CLEAR	4 - 110V AC
	B - BLUE	5 - 220V AC

→ IL.22 - R - 1 ←

Manufactured by:

**piri electrols pvt. ltd.**

A-28, Royal Industrial Estate, Naigaum Cross Road, Wadala, Mumbai 400031. INDIA.

☎ (022) 2412 8342/43 • Fax: (022) 2414 9077 • E-Mail : piri electrols@gmail.com • Website : www.piri electrols.com

