

ELECTRONIC HOOTER

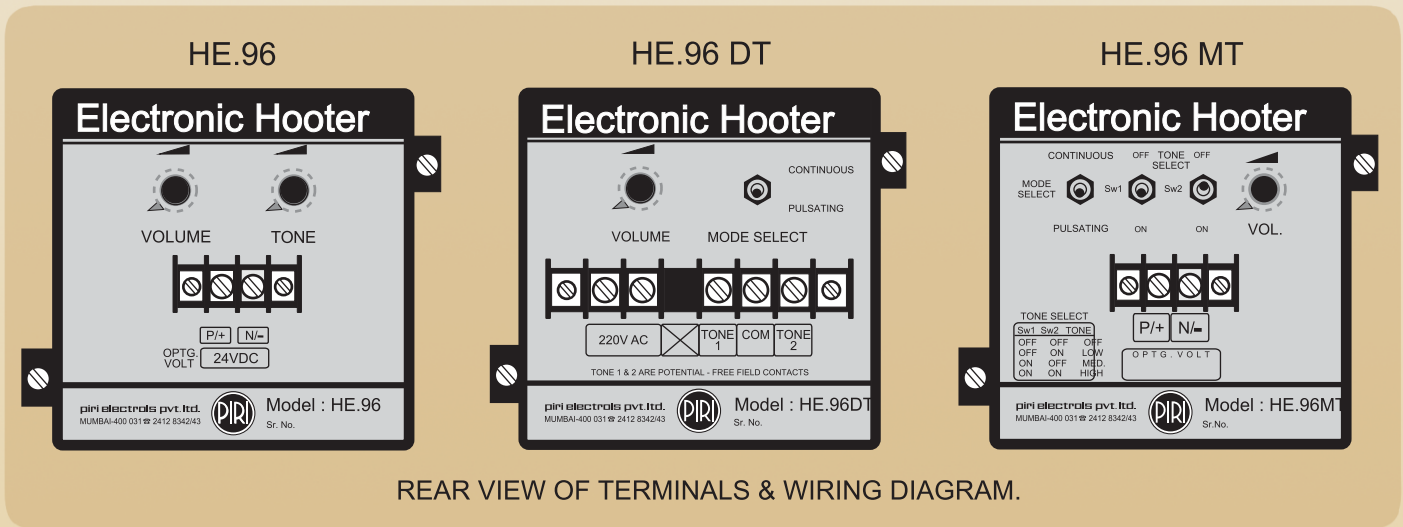
PIS / HE.96
Date: APR'07

Model : HE.96

Features:

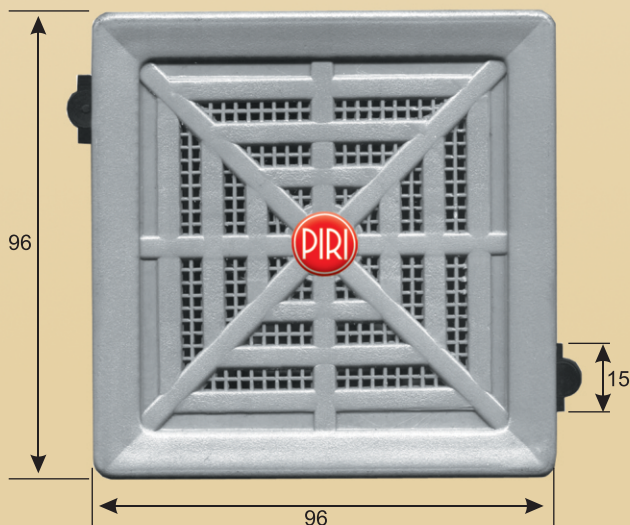
- | Solid-State Electronic Hooter 3 Watts rms with variable Tone and Volume Control.
- | Tone Frequency Range : 300 Hz -1000 Hz.
- | Sound output : 95 dB rms at the Distance of 1 Meter.
- | Operating Voltage : AC : 110V / 230V AC | DC : 12V / 24V DC
- | Current Consumption : 350mA for 110V/230V AC and 12/24V DC.
- | Controls : On the rear panel.
- | Housing : DIN standard (96mm x 96mm x 86mm) Flush rear panel mounting in ABS Plastic in Grey Color with suitable mounting clamps.
- | Panel Cut-Out : (92mm x 92mm).
- | Weight : AC powered unit : 500gms | DC powered unit : 350gms.

Available : 1) HE.96 DT (Dual Tone) for double fault } All other specifications as above
2) HE.96 MT (Multi Tone) for 4 tones

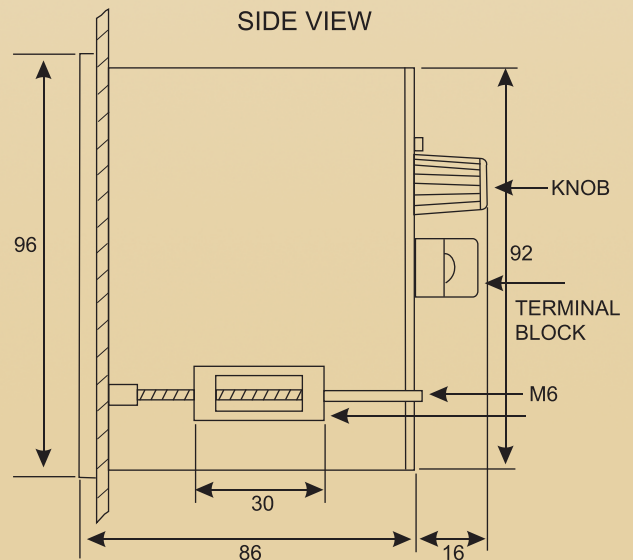


REAR VIEW OF TERMINALS & WIRING DIAGRAM.

FRONT VIEW



DIMENSIONS



Manufactured by:

piri electrols pvt. ltd.

A-28, Royal Industrial Estate, Naigaum Cross Road, Wadala, Mumbai 400031. INDIA.

(022) 2412 8342/43

Fax: (022) 2414 9077

E-Mail : pirielectrols@gmail.com

Website : www.pirielelectrols.com

