

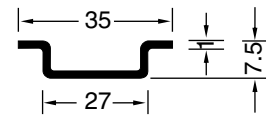
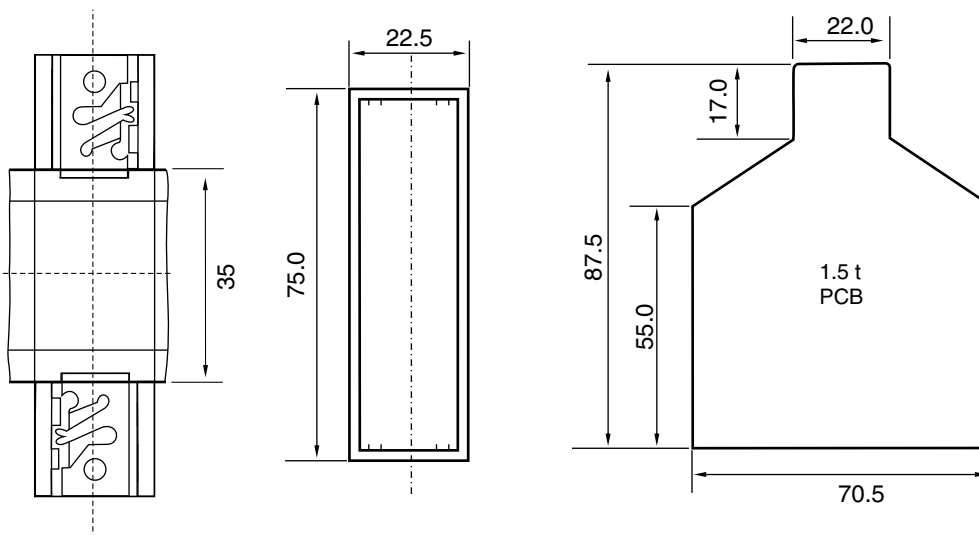
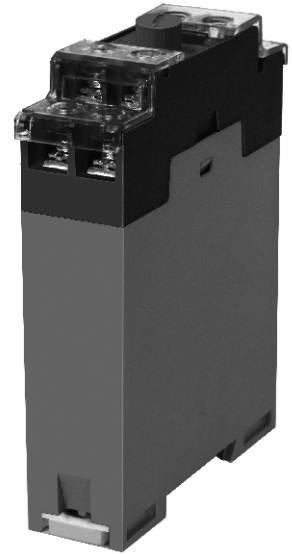
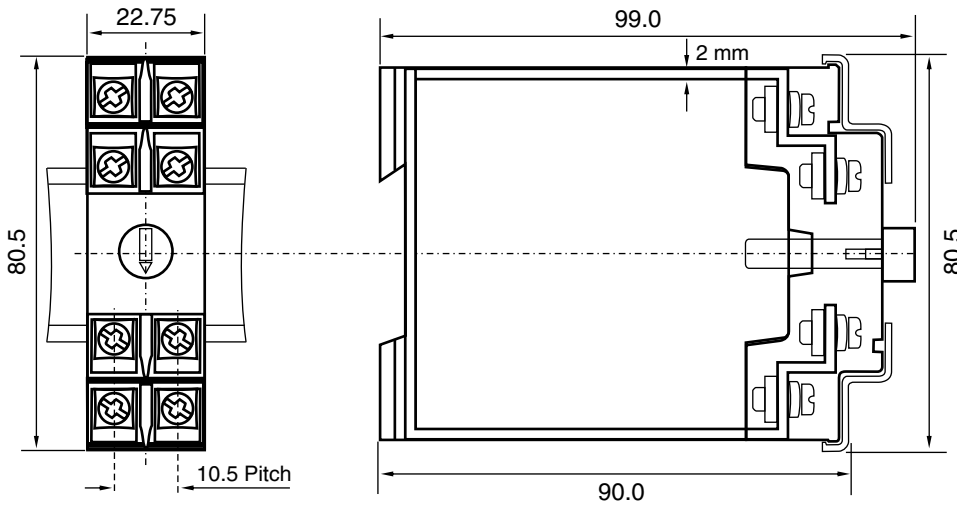
SERIES
ED. 7000

ENCLOSURE

DIN RAIL

TYPE : ED.7022 (TERMINALS 4+4)

ISSUE - *PIS/ED.7022*
DATE : 01.10.12



DIN RAIL-DIN EN.50022

All Dimensions are in mm

SPECIFICATION

ELECTRICAL

- RATINGS : 300V 15 Amps.
- VOLTAGE BREAKDOWN: >2500 volts AC
- INSULATION : >100 meg. ohms at 500V DC

OPERATING TEMPERATURE

60^oc (MAX)

IP CLASSIFICATION

- HOUSING : IP 40
- TERMINAL COVER : IP 10

MECHANICAL :

- A HOUSING - ABS
- B TERMINAL COVER - ABS
- C MOUNTING CLIP - DELRIN
- SCREWS : (COMBIHEAD WITH CAPTIVATED BINDER WASHER) BRASS / Ni- PLATED
- TERMINALS : BRASS / TIN - PLATED
- HEX. NUTS : BRASS / Ni - PLATED

Manufactured by:

piri electrols pvt. ltd.

A-28, Royal Industrial Estate, Naigaum Cross Road, Wadala, Mumbai 400031. INDIA.

☎ (022) 2412 8342/43 • Fax: (022) 2414 9077 • E-Mail : pirielectrols@gmail.com • Website : www.pirielectrols.com

